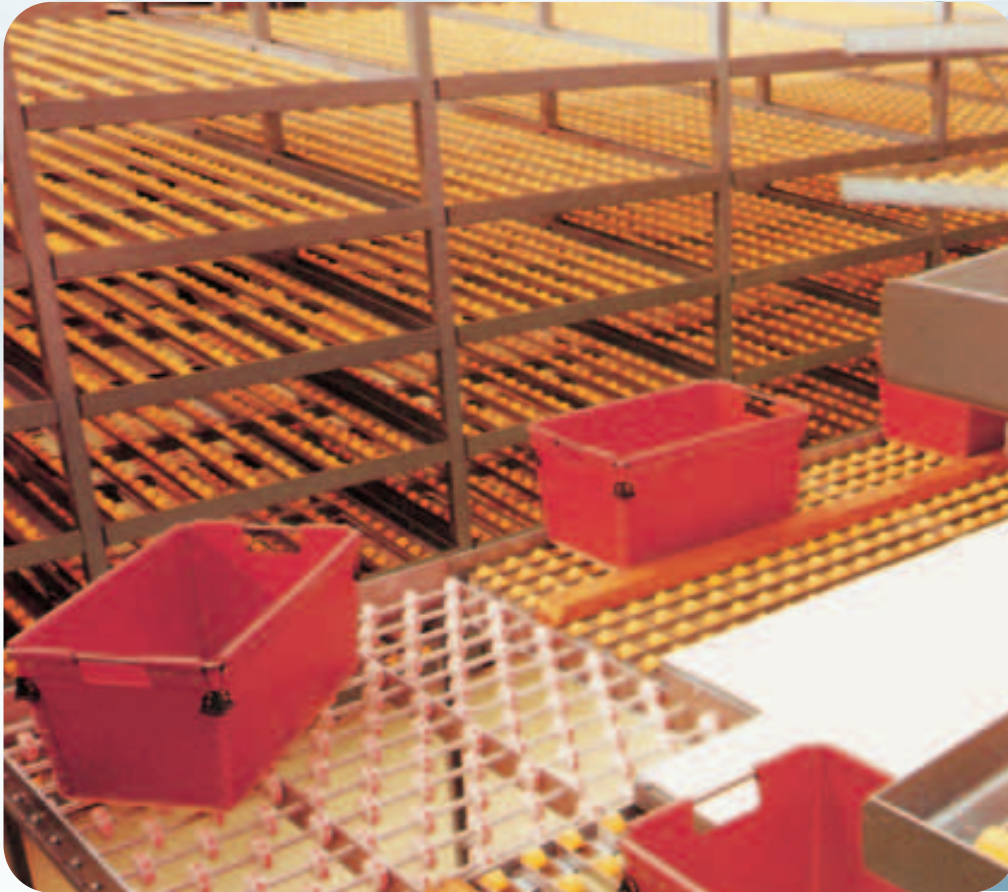


FIX-WHEEL RAILS ^{DBGM}

rationalisation, transportation, automation



IN STOCK

The following items can always be delivered immediately from stock:

1. Normal wheels
2. Flanged wheels
3. Guide rails
4. Anti-static and specially conductive wheels
5. In stainless steel (material No. 1.4301)
6. Non-magnetic material for microwave use

ACCESSORIES

A broad range of standard accessories supplements and simplifies the use of the Fix-Wheel Rails.



POSSIBILITIES OF APPLICATION

The main purpose of the Fix-Wheel Rails is for the use in live storage systems and order picking racks. However, due to the characteristics many more possibilities over and above live storage are possible.

- guide rails for conveyor systems
- roller rails and roller carpets as link between two work stations
- packing and despatch tables
- installation help, e.g. in the wood and glass industry

Wheels running on steel guarantee a loading of 6 daN (kg) with a very low coefficient of friction.



The wheels are made of a high-quality thermo plastic (polypropylene), which is of outstanding impact resistance and is not brittle. The material is resistant against acids and alkali and does not attract moisture. The channel profiles are made of bright zinc-plated sheet with rounded edges on all sides. The loading of the channel profiles is illustrated by the resistance factor of 0.5 cm³. Changing the wheels is easy. Several wheel pitches can be obtained (33 mm, 50 mm, 66 mm, 83 mm, 100 mm etc.) with either normal or flanged wheels. Guide rails and wheel rails accessories such as connectors, end stops, fixing clamps complete the product range.

The Fix-Wheel Rail with a steel axis for a smooth and silent running of material flow is:

- strong and tough
- economical and inexpensive
- tested and proven by a production of more than 30 million metres
- variable as no other wheel rail system

WHEEL RAILS

All wheel rails and guide rails can be delivered in any length required by the customer (maximum length 6500 mm). The wheel rails can be equipped with normal wheels (**N**) or flanged wheels (**SP**). When ordering please state the required pitch.

The pitches 33, 50 mm etc. stated in the catalogue are only approximate. The exact hole pitch of the wheel rail is $16.667 \text{ mm} \pm 0.1 \text{ mm}$. Please consider the stated tolerances. When the beginning of the wheel rail (**S**) (middle axis) has to be determined (in connection with special cutting Order No. **/SKF**) one can only keep to the measurement on this end. On the other end one can only state a measurement, which depends on the length of the wheel rail and the tolerances (max. up to $\pm 8.5 \text{ mm}$).

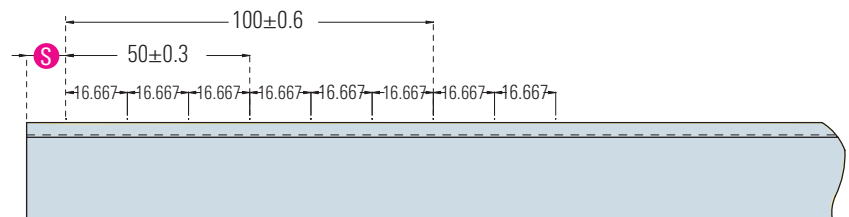
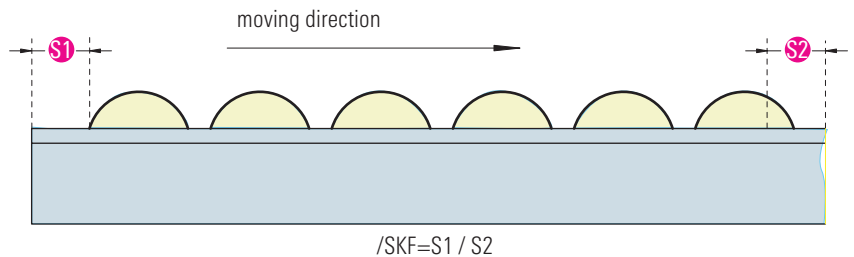
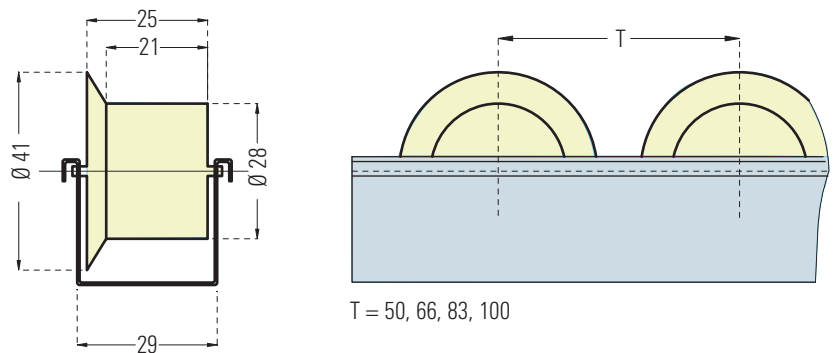
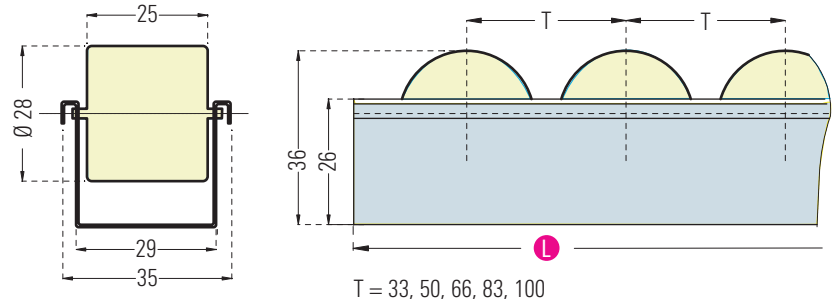
The wheels can be used at a temperature of -30°C up to $+100^\circ \text{C}$.

The following special wheels are available:

1. Deep freeze design from of -30°C
2. Highly conductive wheels – anti-static (colour: black).

If free space (**S1** or **S2**) is required at the beginning or at the end of the Fix-Wheel Rail, please indicate this measurement. The dimensions are the minimum measure for the line-up. When using flanged roller rails with uneven free spaces, left hand and right hand rails must also be ordered. The wheel rails will always be equipped in a way that no wheel protrudes from the wheel rail, when no free space is indicated. The distance from end of rail to first wheel is dependant on the required wheel pitch. If a definite measurement from the end of the rail to the first wheel is required there will be a charge for extra cutting costs.

Special cut: **/SKF**



Fix-Wheel Rail – Tolerance

ADDITIONAL EQUIPMENT

Axis and profile in stainless steel (**/VA**)

Only the axis in stainless steel (**/AE**)

Special Designs for Normal Wheels:

Wheels highly conductive (**/HL**)
(wheel colour: black)

Wheel colour black (**/SCHW**)

Wheel colour red (**/ROT**)

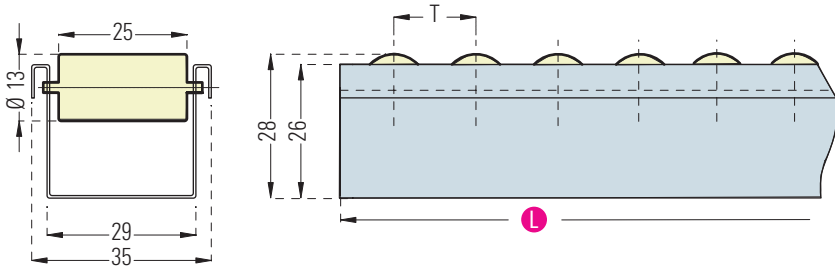
Special Designs for Flanged Wheels:

Wheels highly conductive (**/HL**)
(wheel colour: black)

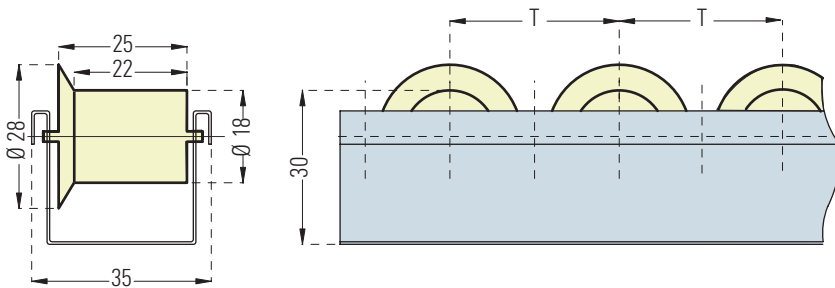
FIX-WHEEL RAILS^{DBGM}

rationalisation, transportation, automation

Fix-Wheel Rail with Mini Normal Wheels
T = 16, 33, 50



Fix-Wheel Rail with Mini Flanged Wheels
T = 33, 50, 66



To fulfil all market requirements Fix-Wheel Rails are equipped with different wheels:

Fix-Wheel Rail with mini normal wheels, dia. 13 mm (**N mini**)

Fix-Wheel Rail with mini flanged wheels, dia. 18 mm (**SP mini**)

WHEEL RAILS				VARIANTS IN DESIGN				
Design/Type	Pitch	/Length L (max. 6500 mm)	Special Cut /SKF = S1/S2	Axis Stainless Steel	Axis+Profile Stainless Steel	Wheels highly conductive	Wheel Colour black	Wheel Colour red
N	33 /	/AE	/VA	/HL	/SCHW	/ROT
N	50 /	/AE	/VA	/HL	/SCHW	/ROT
N	66 /	/AE	/VA	/HL	/SCHW	/ROT
N	83 /	/AE	/VA	/HL	/SCHW	/ROT
N	100 /	/AE	/VA	/HL	/SCHW	/ROT
SP	50 /	/AE	/VA	/HL		
SP	66 /	/AE	/VA	/HL		
SP	83 /	/AE	/VA	/HL		
SP	100 /	/AE	/VA	/HL		
N mini	16 /	/AE	/VA	/HL		
N mini	33 /	/AE	/VA	/HL		
N mini	50 /	/AE	/VA	/HL		
SP mini	33 /	/AE	/VA			
SP mini	50 /	/AE	/VA			
SP mini	60 /	/AE	/VA			

Order Example: N33/2150/SKF = 15/20/VA

Normal wheels, 33 mm pitch, 2150 mm long, free space at the front 15 mm/free space at the back 20 mm, axis+profile in stainless steel.

ACCESSORIES

Guide rail: **FU** – Length **L2/L1**

Material steel bright zinc-plated. Please state measurements L1, L2 and A

End plug: **ST**

The end plug can be installed on one or on both sides and has to be ordered separately.

Spread Safeguard: **SPS**

The spread safeguard is made out of a special bent and hardened spring wire dia. 1.5 mm, which avoids a spreading of the Fix-Wheel Rails during transportation of heavier weights. The protection is clamped in a free axis holder.

Spring clamp: **FKL**

The spring clamp can be delivered in a length $x = 14$ or 20 mm. Please indicate the measure A, B, L.

Round holes: **RL**

The following diameter can be supplied:

$D = 5.5$ mm, 6.5 mm, 7.0 mm, 8.5 mm, 10.5 mm, 12.5 mm

Slots: **LL** – (**D1 x D2**)

The following dimensions can be delivered:

4.2×10 mm, 7×12 mm, 8.5×20 mm, 10.5×20 mm

End Stop: **EGF** and **EF**

The end stop (**EGF**) consists of a 3 mm strong steel angle with rounded edges and is riveted to the rail. The end stop (**EF**) is screwed.

Connector: **VF**

The connector, incl. 4 screws consists of a U-shaped profile, which is mounted underneath to the wheel rail.

Round holes have to be ordered additionally for the channel (**RL**), $D = 6.5$ mm

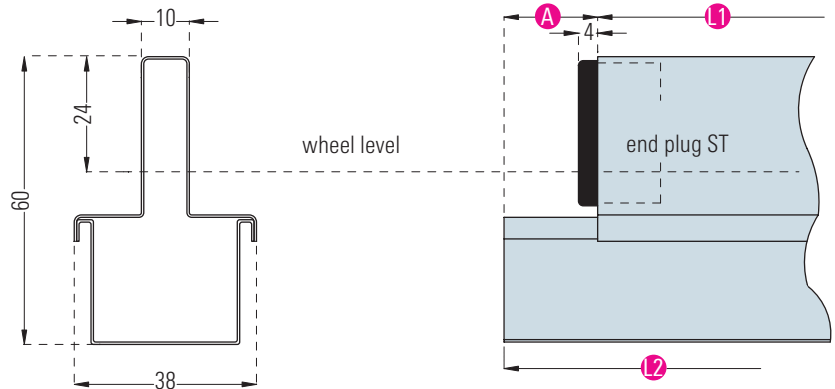
End caps: **KS**

The end cap is made out of a soft plastic material, which can also be delivered in connection with the riveted end stop **EGF**

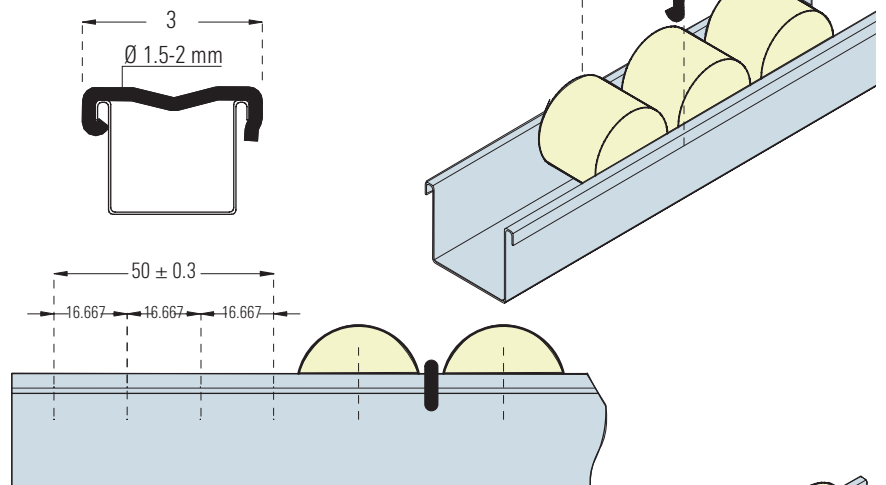
Brake clamp: **BK**

The brake clamp is laterally pushed into the wheels and prevents a turning of the wheel.

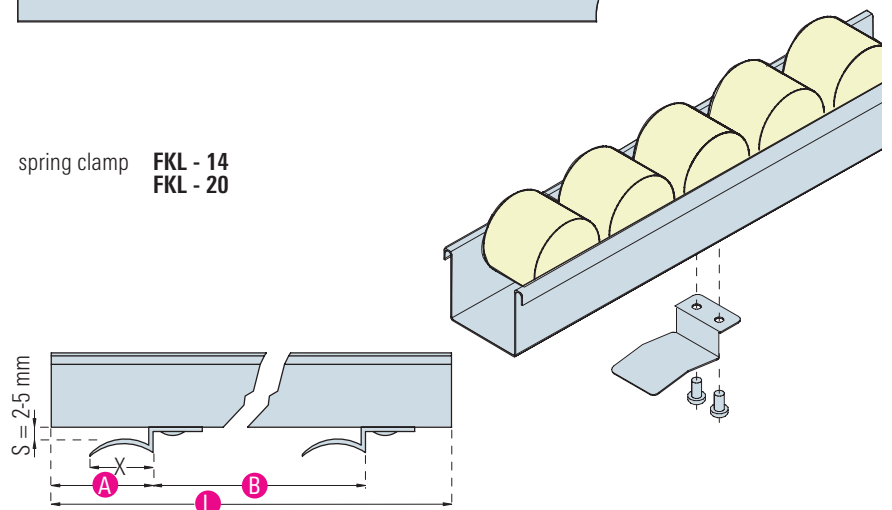
guide rail **FU**
end plug **ST**



spread safeguard **SPS**

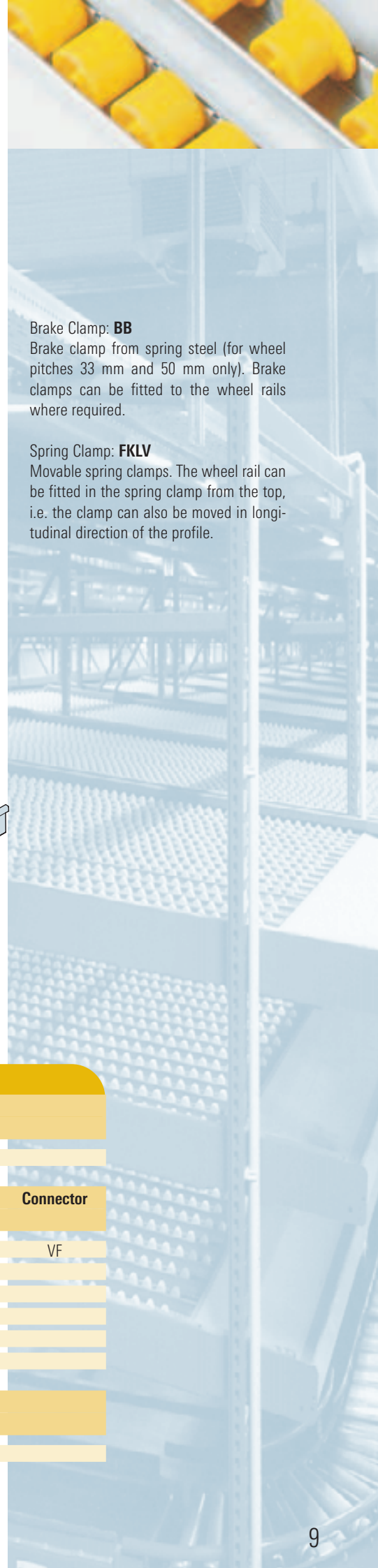


spring clamp **FKL - 14**
FKL - 20

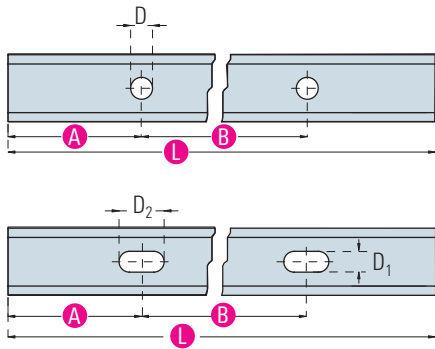


FIX-WHEEL RAILS^{DBGM}

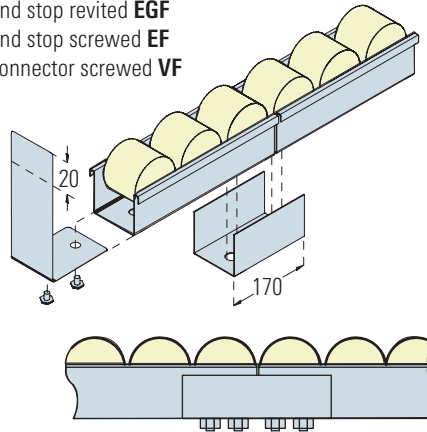
rationalisation, transportation, automation



round holes **RL - (Diameter)**
slots **LL - D1 x D2**



end stop riveted **EGF**
end stop screwed **EF**
connector screwed **VF**



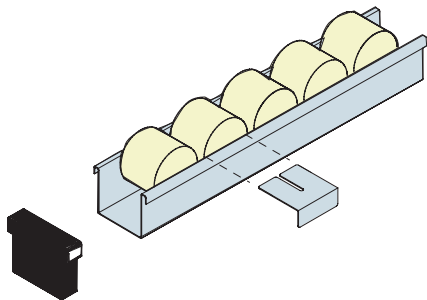
Brake Clamp: **BB**

Brake clamp from spring steel (for wheel pitches 33 mm and 50 mm only). Brake clamps can be fitted to the wheel rails where required.

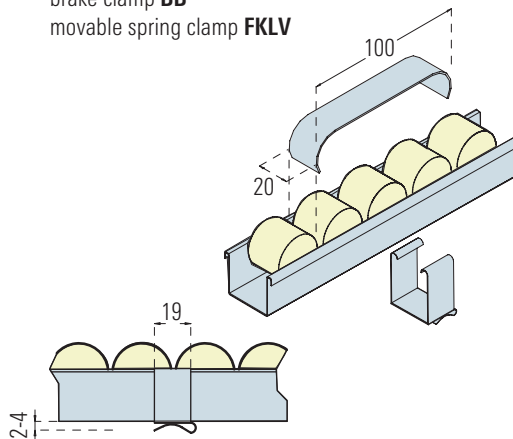
Spring Clamp: **FKLV**

Movable spring clamps. The wheel rail can be fitted in the spring clamp from the top, i.e. the clamp can also be moved in longitudinal direction of the profile.

end caps **KS**
brake clips **BK**



brake clamp **BB**
movable spring clamp **FKLV**



ACCESSOIRES FIX-WHEEL RAIL

Guide Rail FU
FU - L2/L1/A

End Plug

FU - / / ST

Spring Clamp	Round holes RL FKL - /A/B/L	Slots LL RL - Ø /A/B/L	End Stop riveted	End Stop screwed	Connector
FKL - 14	RL - Ø 5.5/...../...../.....	LL - 4.2 x 10/...../...../.....	EGF	EF	VF
FKL - 20	RL - Ø 6.5/...../...../.....	LL - 7.0 x 12/...../...../.....			
	RL - Ø 7.0/...../...../.....	LL - 8.5 x 20/...../...../.....			
	RL - Ø 8.5/...../...../.....	LL - 10.5 x 20/...../...../.....			
	RL - Ø 10.5/...../...../.....				
	RL - Ø 12.5/...../...../.....				

End Caps	Brake Clip	Brake Clamp	Movable Spring Clamp	Spread Safeguard
KS	BK	BB	FKLV	SPS