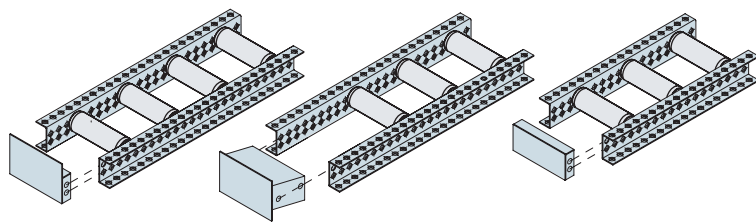
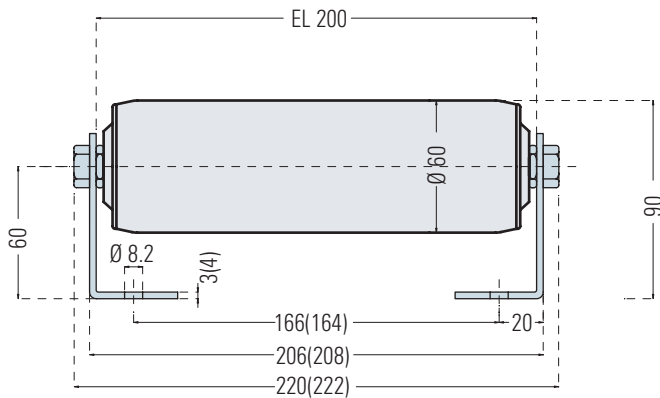
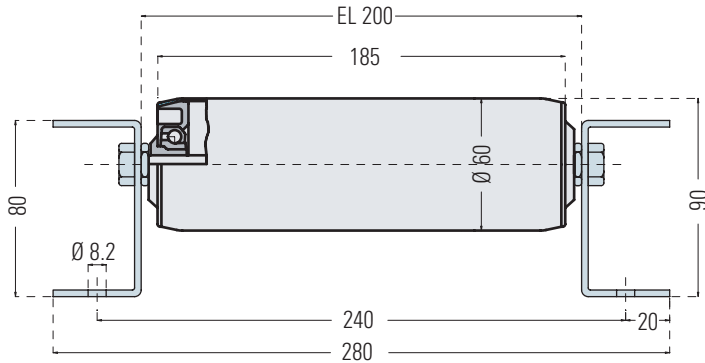


# EUROROLL®-PALLET ROLLER

for live storage racking,  
transport and conveying



end Stop **PEE**  
sliding end stop **PESCHE**  
roller guard **PRSE**

Roller carrying capacity 160 kg/roller: **PR 200**

Roller carrying capacity 220 kg/roller: **PR 220**

Roller design bright steel: **B**

Roller design zinc-plated: **I**

Channel variants:

with 2 U-shaped Profiles: **U**

with 2 L-shaped Profiles, 3 mm thick: **L3**

with 2 L-shaped Profiles, 4 mm thick: **L4**

**Order example:**

**PR 200 – I – U – 130 / 6006**

EUROROLL-Pallet Roller Track, carrying capacity 160 kg/roller, zinc-plated roller, with 2 U-shaped profiles, pitch 130 mm, length 6006 mm

## ACCESSORIES

End stop: **PEE**

Sliding end stop: **PESCHE**

Roller guard: **PRSE**

Connector for U-shaped profile design (1 pair):  
**PVU**

Connector for L-shaped profile design (1 pair):  
**PVL**

## EUROROLL-PALLET ROLLER TRACKS

Rollers 160 kg	Rollers 220 kg	blank	zinc- plated	U-shaped Profiles 2 pieces	2 L-shaped Profiles 3 mm	2 L-shaped Profiles 4 mm	Pitch	Length L (max. 6006 mm)	Special Cut /SK = S1/S2
PR 200	PR 220	/B	/I	U	L3	L4	78	...../.....	...../.....
PR 200	PR 220	/B	/I	U	L3	L4	104	...../.....	...../.....
PR 200	PR 220	/B	/I	U	L3	L4	130	...../.....	...../.....
PR 200	PR 220	/B	/I	U	L3	L4	156	...../.....	...../.....

## ACCESSORIES PALLET ROLLER TRACKS

End Stop	Sliding End Stop	Roller Guard	Connector U-shaped Profile	Connector L-shaped Profile
PEE	PESCHE	PRSE	PVU	PVL

## PALLET ROLLER TRACKS

The EUROROLL-Pallet Roller Track enlarges the roller track range with one further track. The EUROROLL-Pallet Roller Track is used when full width roller tracks cannot be used or when the cheaper pallet roller track is too narrow with a roller length of 74 mm.

The EUROROLL PR 200 Roller Tracks can be installed in the same way as the Pallet Roller Tracks NR 100. The roller conveyor consists of 2 - 3 roller tracks.

When used in pallet live storage installation, separators and brake rollers can be fitted in the PR 200 Roller Tracks.

Standard lengths are 2496 mm and 6006 mm. Other required lengths can, of course, be supplied. Longer tracks are connected with connecting rods. Please choose the track length in a pitch of 26 mm. The tracks can be equipped with wheels in a pitch of 78, 104, 130, 156, 182 or 208 mm. The fitting length of the rollers is 200 mm. The EUROROLL-Pallet roller track consists of two U-shaped profiles 40/80/40 x 3 mm, zinc-plated or it consists of two L-shaped profiles 75/40 x 3 mm or 4 mm thick, zinc-plated.

Rollers of a tube dia. 60 x 2 mm are fitted in between both profiles, the carrying capacity of each roller is 160 kg. This normal design has the order number **PR 200**. For greater loads EUROROLL can supply a roller design with a carrying capacity of 200 kg/roller. The order number for this roller is **PR 220**. The rollers can be alternatively either supplied as blank rollers or as zinc-plated rollers.

